

Noby 21

Relay Module

The **Noby-21 Relay Module** is designed for use in both 12v and 24v alarm systems. The DPDT voltage-free contacts permit switching of two independent circuits. Bridging the two contact sets together creates an effective single contact with a switching capacity of up to 4 amps. An on-board LED displays the activation state of the relay. Two adhesive mounting pillars are supplied with the Noby-21.

Typical applications include:

- switching high currents directly from the battery (via an in-line fuse).
- signal isolation between various parts of a system operating at different voltage supplies.

Technical Specification	Value	Unit
Absolute Maximum Supply Voltage	30	VDC
Supply Voltage Range	10 - 30	VDC
Operating Current: $V_s = 12v$ $V_s = 24v$	15 18	mA
Standby Current	0	mA
Relay Type	DPDT	
Contact Power Rating	60	VA
Contact Current Rating @28VDC	2.0	A
Maximum Contact Current	2.0	A
Isolation Voltage: coil to contacts contacts to contacts	1000	VAC
Insulation Resistance: coil to contacts contacts to contacts	> 1000	Mohm
Signal Input Resistance	4.7	kohm
Signal Input Operating Threshold	> 4.0	V
Operating Status LED	Yes	
Coil Suppressor Diode fitted	Yes	
PCB Dimensions	55 x 30	mm

Figure 1 illustrates a 2-wire connection which is suitable for most outputs capable of delivering in excess of 20mA. Note that a link must be connected between the +ve V_s terminal and the signal input as shown. The arrangement shown in Figure 2 is applicable where only a weak signal output is available from by the alarm equipment. In this case the Noby-21 is powered from an auxiliary supply voltage, with the relay now being driven by the signal line.

Figure 1: 2-wire Connection

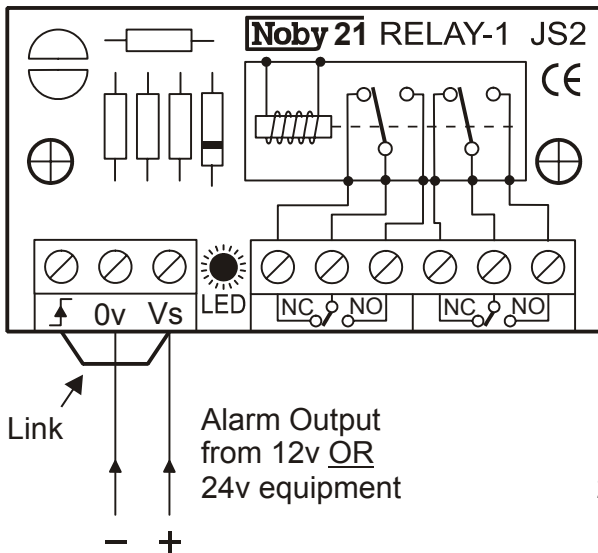
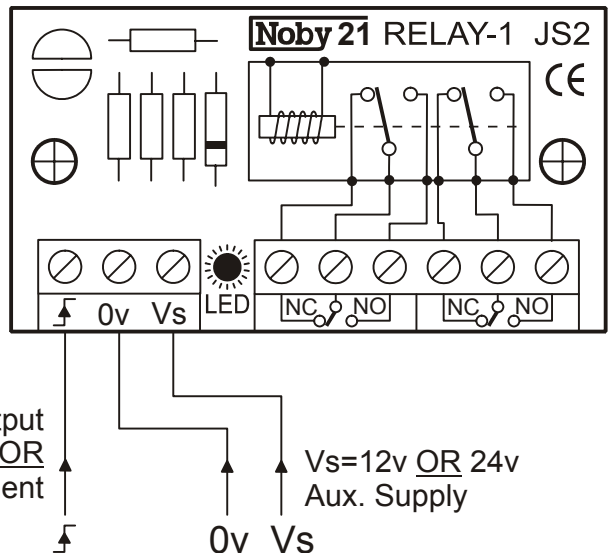


Figure 2: 3-wire Connection



THIS DEVICE IS NOT INTENDED FOR SWITCHING 230VAC OR OTHER DANGEROUS VOLTAGES, AND ANY ATTEMPT TO DO SO MAY CREATE AN ELECTRICAL SHOCK HAZARD.

Noby UK

1F Mill Fold
Elland Road
Ripponden
HALIFAX
West Yorkshire
HX6 4DJ

www.noby.co.uk

sales@noby.co.uk

Tel: +44(0)1422 823395

Fax: +44(0)1422 823661